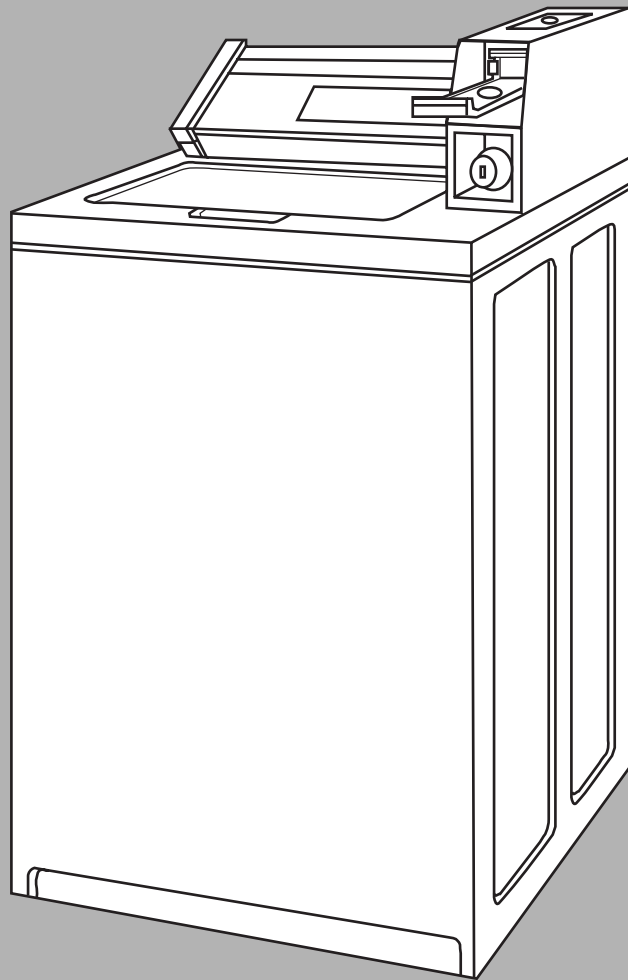


Installation Instructions



Part No. 3360619

IMPORTANT: Read and save these instructions

IMPORTANT:

Installer: Leave Installation Instructions with the owner.

Owner: Keep Installation Instructions for future reference.

Save Installation Instructions for local electrical inspector's use.

COMMERCIAL ELECTRONIC WASHER

120-volt, 60-Hz Models

Before you start...

Your safety and the safety of others is very important.

We have provided many important safety messages in this manual and on your appliance. Always read and obey all safety messages.



This is the safety alert symbol. This symbol alerts you to hazards that can kill or hurt you and others. All safety messages will be preceded by the safety alert symbol and the word "DANGER" or "WARNING". These words mean:

! DANGER

You **will** be killed or seriously injured if you don't follow instructions.

! WARNING

You **can** be killed or seriously injured if you don't follow instructions.

All safety messages will identify the hazard, tell you how to reduce the chance of injury, and tell you what can happen if the instructions are not followed.

Do Not store or operate washer below 0°C (32°F) (some water may remain in washer).

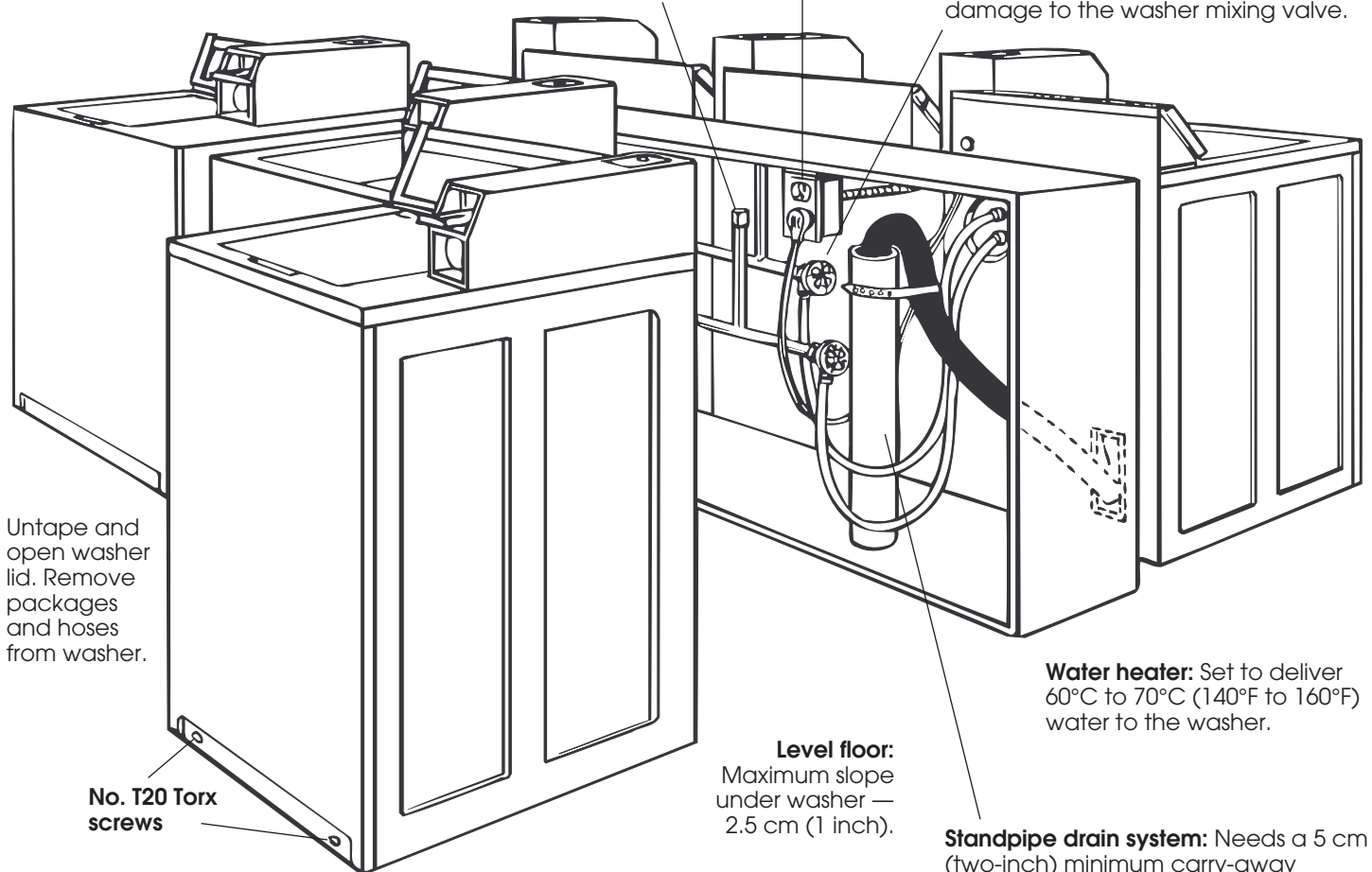
See Use & Care Guide for "Winterizing" information.

Check location where washer will be installed. Proper installation is your responsibility. Make sure you have everything necessary for correct installation.

Single washer installations require 30 cm (12 inch) minimum risers to provide an air cushion and prevent noise and damage to valves.

Grounded electrical outlet is required. See Electrical requirements.

Hot and cold water faucets must be within 1.2 meters (4 feet) of the back of the washer and provide water pressure 690 kPa (10-100 PSI). A pressure reduction valve should be used in the supply line where inlet pressure entering the building exceeds 690 kPa (100 PSI) to prevent damage to the washer mixing valve.



Untape and open washer lid. Remove packages and hoses from washer.

No. T20 Torx screws

Level floor:
Maximum slope under washer — 2.5 cm (1 inch).

Water heater: Set to deliver 60°C to 70°C (140°F to 160°F) water to the washer.

Standpipe drain system: Needs a 5 cm (two-inch) minimum carry-away capacity of 64.4 liters (17 gallons) per minute. Top of standpipe must be at least 86.4 cm (34 inches) high and no higher than 183 cm (72 inches) from bottom of washer.

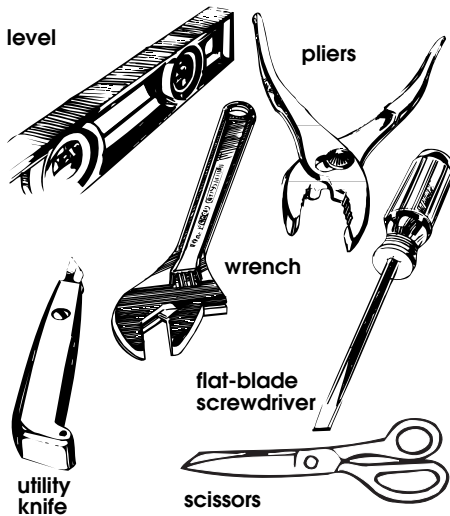
On coin-operated washers, front access to the pump area is available by removing the two, No. T20 Torx screws and then removing the front panel.

Important: Observe all governing codes and ordinances.

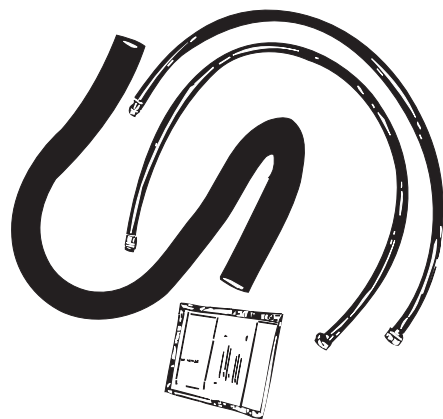
A floor drain should be provided under the bulkhead. Prefabricated bulkheads with electrical outlets, water supply lines and drain facilities should be used only where local codes permit.

Support: Floor must be sturdy enough to support loaded washer weight of 143 Kg (315 pounds).

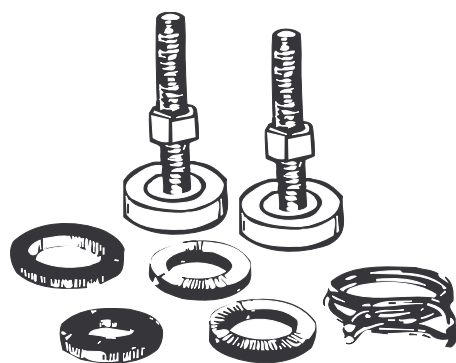
Tools needed for installation:



Parts supplied for installation:



Remove parts from packages. Check that all parts were included.



- 1 hose clamp
- 2 inlet hoses
- 4 flat water hose washers
- 2 front-leveling legs with nuts
- 1 drain hose

Electrical requirements

⚠ WARNING



Electrical Shock Hazard

Plug into a grounded 3-prong outlet.
Do not remove ground prong.
Do not use an adapter.
Do not use an extension cord.
Failure to follow these instructions can result in death, fire, or electrical shock.

If codes permit and a separate ground wire is used, it is recommended that a qualified electrician determine that the ground path is adequate.

Do Not ground to a gas pipe.

Check with a qualified electrician if you are not sure the washer is properly grounded.

Do Not have a fuse in the neutral or ground circuit.

A 120-volt, 60-Hz, AC-only, 15- or 20-ampere fused electrical supply is required. (Time-delay fuse or circuit breaker is recommended.) It is recommended that a separate circuit serving only this appliance be provided.

Recommended ground method

For your personal safety, this appliance must be grounded. This appliance is equipped with a power supply cord having 3-prong ground plug. To minimize possible shock hazard, the cord must be plugged into a mating 3-prong ground-type outlet, grounded in accordance with local codes and ordinances. See Figure 1. If a mating outlet is not available, it is the personal responsibility and obligation of the customer to have a properly grounded 3-prong outlet installed by a qualified electrician.

WARNING – Improper connection of the equipment-grounding conductor can result in a risk of electric shock. Check with a qualified electrician or serviceman if you are in doubt as to whether the appliance is properly grounded. Do not modify the plug provided with the appliance – if it will not fit the outlet, have a proper outlet installed by a qualified electrician.

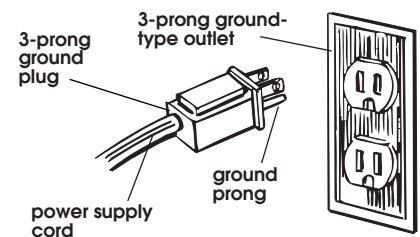


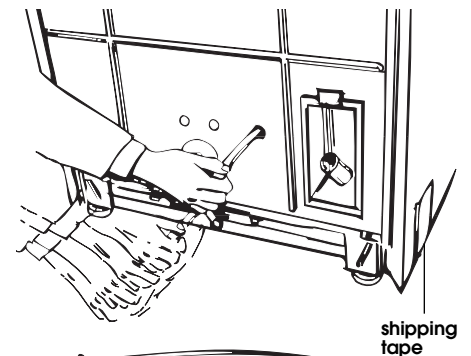
Figure 1

Now start...
With washer in laundry area.

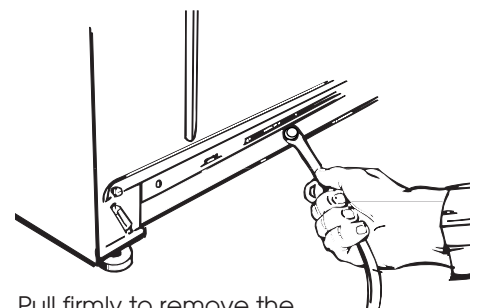
⚠ WARNING

Excessive Weight Hazard

Use two or more people to move and install washer.
Failure to do so can result in back or other injury.



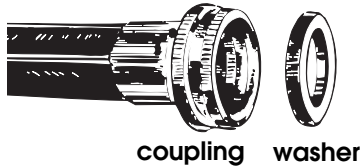
1. Remove tape that covers shipping strap. Pull to completely remove the shipping strap with 2 cotterpins from the inside of the washer.



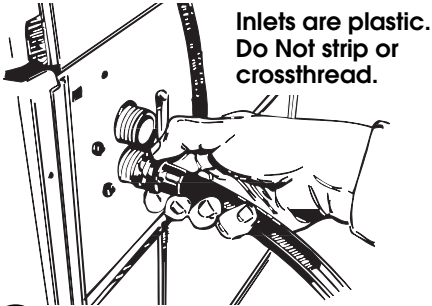
Pull firmly to remove the end of shipping strap from the back of the washer. The shipping strap plug must be completely removed from the washer for the self-leveling legs to be released.

Save the shipping strap for use in Step 6.

Use new hoses and washers that came with your Whirlpool washer.

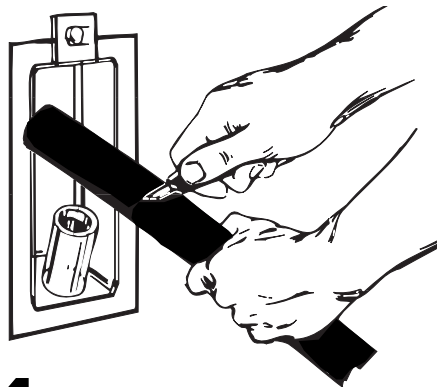


2. Insert a flatwasher into each end of the inlet hoses. Check that washers are firmly seated in couplings.



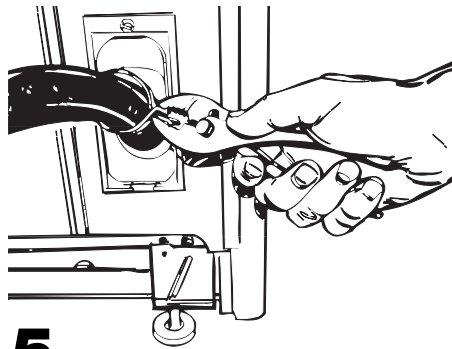
3. Attach hose to bottom inlet valve opening first. Then second hose to top inlet. Tighten couplings by hand; then use pliers to make an additional two-thirds turn.

Slide washer onto cardboard or hardboard before moving across floor.

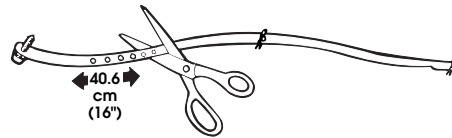


4. Move washer close to final position. Put "hook" end of drain hose into standpipe. Estimate length of drain hose needed when washer is in final position. Hose must be cut exactly to length so "hook" end is held tightly over edge of standpipe. If drain hose is too long, cut straight end of hose. (Do Not cut "hook" shaped end of drain hose.)

DO NOT FORCE EXCESS LENGTH OF DRAIN HOSE DOWN THE STANDPIPE. THIS COULD CAUSE SIPHONING. See Step 6.



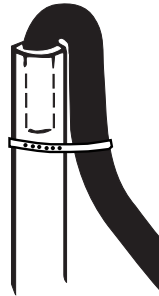
5. Place hose clamp over washer drain connector. Push drain hose onto washer connector. Use pliers to open clamp and slide clamp over drain hose. Check for good fit.



6. Measure and mark a point approximately 40.6 cm (16 inches) from the plug end of the shipping strap. Cut this shipping strap at this point.

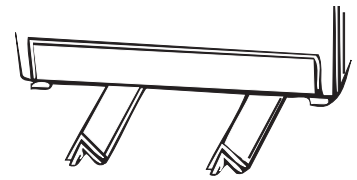
Put "hook" end of drain hose into standpipe. Tightly wrap the shipping strap around the standpipe. Push plug into the nearest hole in the shipping strap.

Check that hose is not twisted or kinked and is securely in place.

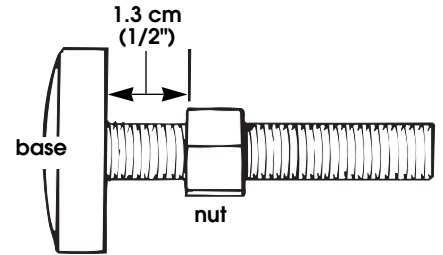


7. Before attaching water inlet hoses, run water through both faucets into a bucket. This will get rid of particles in water lines that might clog hoses. Mark which is the hot water faucet.

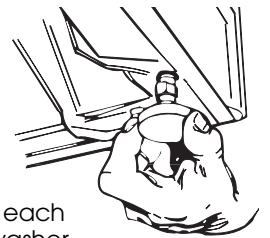
8. Attach bottom hose (inlet marked "H") to hot water faucet. Attach top hose (inlet marked "C") to cold water faucet. Tighten coupling to faucet by hand; then use pliers to make final two-thirds turn.



9. Stack two corner posts on top of each other. Tilt washer backwards and insert corner posts 7.6 cm (3 inches) in from one side of washer as shown. Repeat with other corner posts on other side of washer.



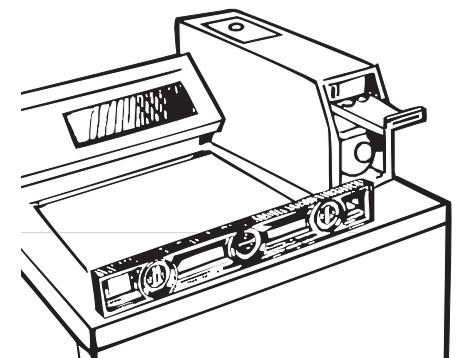
10. Use legs and nuts from parts package. Screw nut down to within 1.3 cm (1/2 inch) of base.



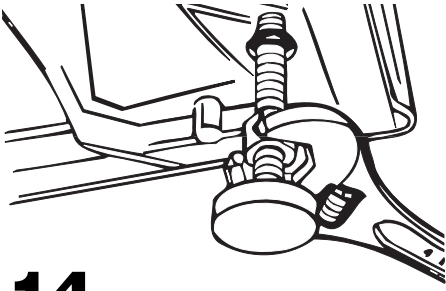
11. Insert legs into correct holes at each front corner of washer until nuts touch washer. Do Not tighten nuts until Step 14.

12. Tilt washer backward and remove corner posts. Gently lower washer to floor.

Move washer to its permanent location. Remove cardboard or hardboard from under washer.

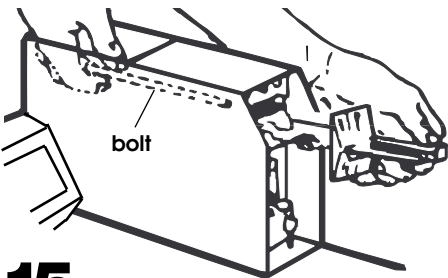


13. Tilt washer forward raising back legs 2.5 cm (1 inch) off of floor. To adjust rear self-leveling legs, gently lower washer to floor. Check levelness of the washer by placing a carpenter's level on top of the washer, first side to side; then front to back.

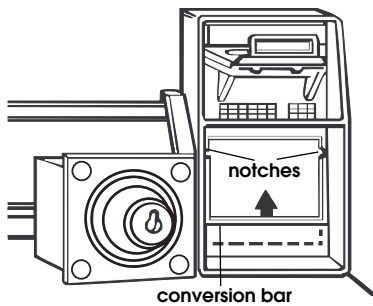


14. If washer is not level, adjust the front legs up or down. Make final check with level.

When washer is level, use wrench to turn nuts on front legs up tightly against washer base. If nuts are not tight against washer base, the washer may vibrate.

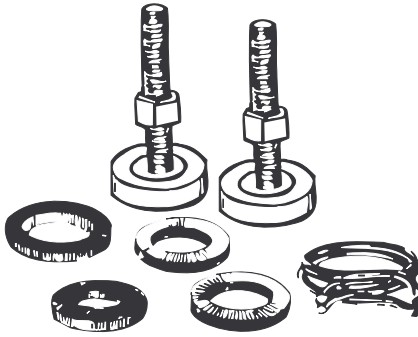


15. On coin-operated washers, remove the service door of the meter case. Lift the service door up at the back and remove. Carefully insert coin slide with the coin slide extension attached into front opening and secure with the 4.8 mm (3/16") mounting bolt from inside the meter case. The coin slide may need to be partially pushed in to insert mechanism in the front opening. Replace meter case top and service door. Insert coin vault with lock and key.



16. Put the coin vault with lock and key in the meter case opening. A larger-capacity coin vault can be installed. Use a knife to carefully remove the paint along the seam at the bottom of the conversion bar. Use a blade screwdriver and a hammer to lightly tap along the seam area. Raise the conversion bar up to the notches in the sides of the vault opening. Remove the conversion bar and drawer guide. Install new guide (found in parts bag) and the larger coin vault.

17. CHECK ELECTRICAL REQUIREMENTS. BE SURE YOU HAVE CORRECT ELECTRICAL SUPPLY AND RECOMMENDED GROUNDING METHOD.



18. Check that all parts are now installed. See parts list, Page 3. If there is an extra part, go back through steps to see which step was skipped.

19. Turn on water faucets and check for leaks. Tighten couplings if there is leaking. Do Not overtighten; this could cause damage to faucets.

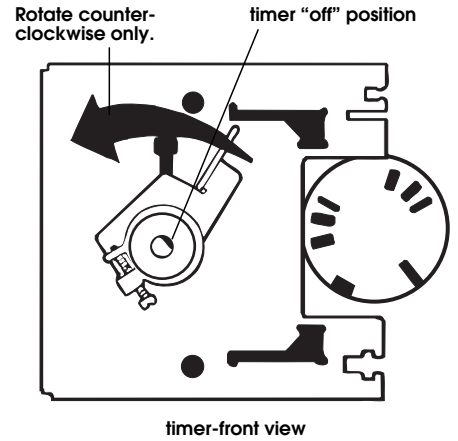


20. Check that you have all of your tools. Check that the shipping strap with 2 cotterpins and plug was removed from the back of the washer and used to secure the drain hose.

If entire strap is not removed, washer may vibrate and be noisy.

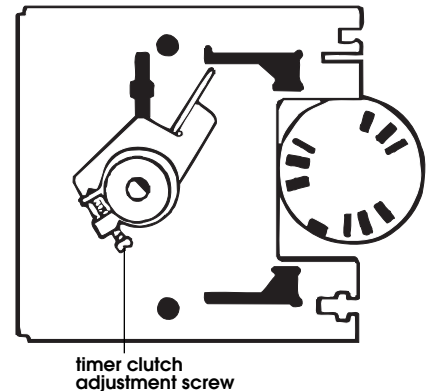
21. Untape power supply cord and plug into grounded outlet.

22. Check the wash cycle time. The coin-operated washer has a 9-minute wash in the Normal cycle. Remove the meter case top of coin-operated washers to manually start the timer. Start the washer and allow it to complete the Normal cycle.



Coin-operated timers can be started by turning the clutch assembly counterclockwise until the washer starts to fill with water.

23. If the washer fails to start or does not give the proper washer cycle time, the clutch assembly of the coin-operated timer can be adjusted. Remove the timer from the meter case. Adjust the clutch assembly screw clockwise if the washer does not start after the coin slide mechanism has been fully actuated in or out. Adjust the clutch assembly screw counterclockwise if the washer segment of the Normal cycle was less than 9 minutes.



Owner options (coin-operated models)

CAUTION: Disconnect power cord.

- For **WARM RINSE** and **WATER SAVER**:
 - Remove screws from each end of the console bottom.
 - Pull the console bottom forward; lift and tilt it back.
 - WARM RINSE**
 - Connect J1 to J2
 - SAVE WATER**
 - Pull out tab on water-level switch.
- If use of a larger coin vault, lock and key is desired, conversion bar in lower portion of coin vault area can be removed.
- If additional security is needed, top and cabinet can be locked to washer back panel by using a "screw type" lock and key in space provided in top panel under console. The "screw type" lock and key are available from usual industry sources.

Typical full load sizes.

Load Type	Loading Suggestion	Load Type	Loading Suggestion
Mixed Load	3 double sheets 4 pillowcases 6 pair shorts 8 T-shirts 2 shirts 2 blouses 8 handkerchiefs	Heavy work clothes	3 pair pants 3 shirts 1 coverall 4 pair jeans 1 overall
Permanent Press	2 double or 1 king size sheet 1 tablecloth 1 dress 1 blouse 2 slacks 3 shirts 2 pillowcases	Knits	3 blouses 4 slacks 6 shirts 4 tops 4 dresses


Check list for washer operation

Check the following if the washer is not operating properly:

- Power supply cord is plugged in.
- Circuit breaker is not tripped or fuse blown.
- Timer has been advanced to start of a cycle.
- Water faucets are turned on.
- Inlet and drain hoses are not kinked.
- Washer lid is closed.
- Inlet valve is frozen if not protected from the weather.
- Suds level. Excess suds will slow the spin and cause poor rinsing. Operate the washer through a complete cycle with no detergent. Use less detergent or a controlled suds type detergent in future loads.

Operating Tips

⚠ WARNING



Fire Hazard

Never place items in the washer that are dampened with gasoline or other flammable fluids.

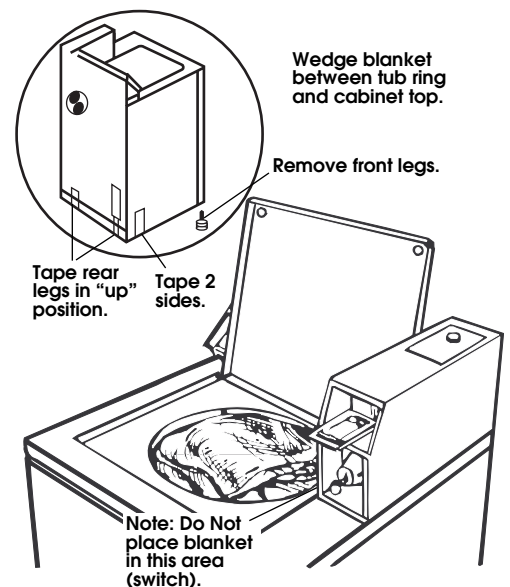
No washer can completely remove oil.

Do not dry anything that has ever had any type of oil on it (including cooking oils).

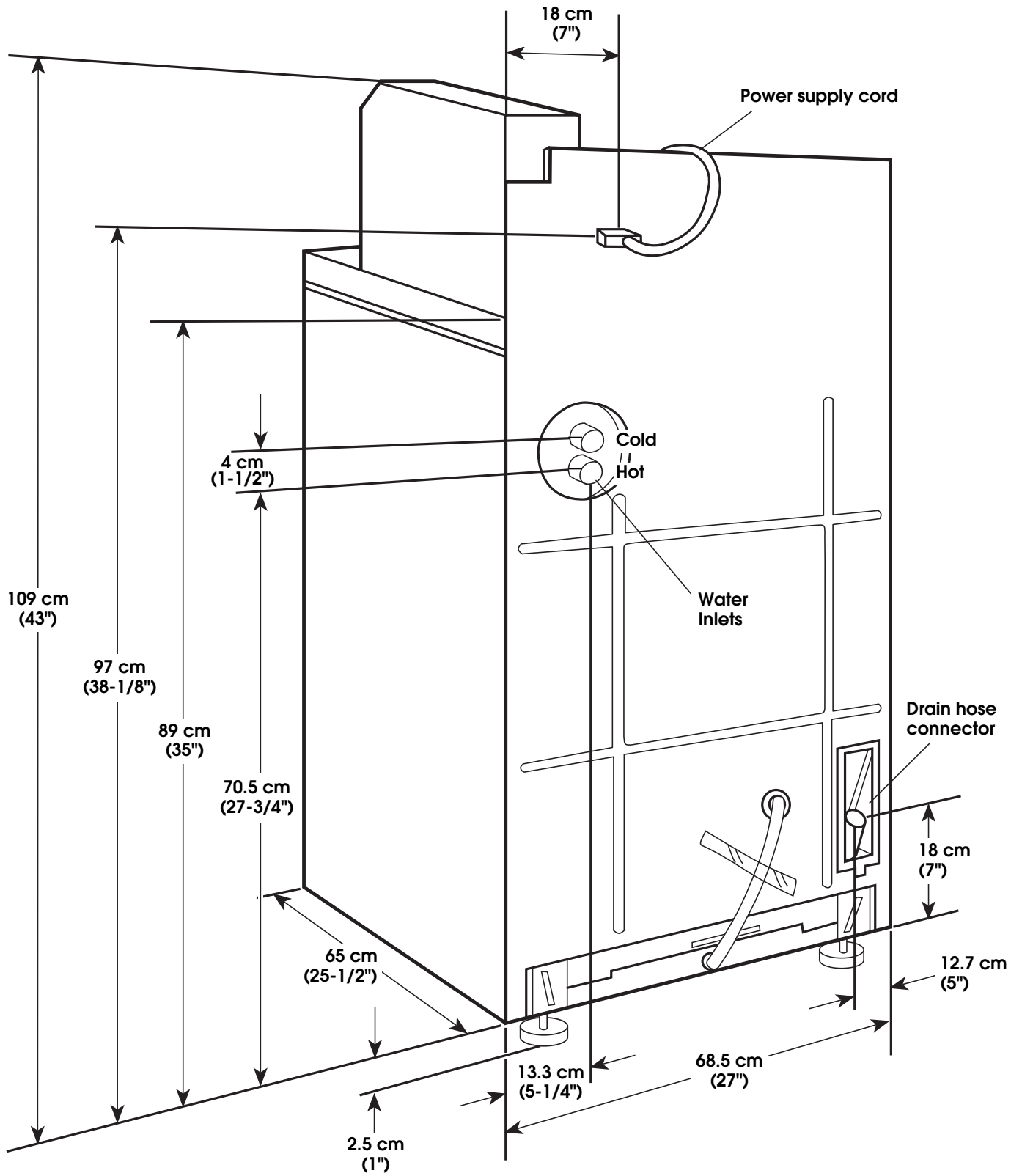
Doing so can result in death, explosion, or fire.

It is recommended that fiberglass items not be washed in coin-operated washers. If these items are washed in the washer, run the washer through a complete cycle to rinse any residue away that might be left in the washer.

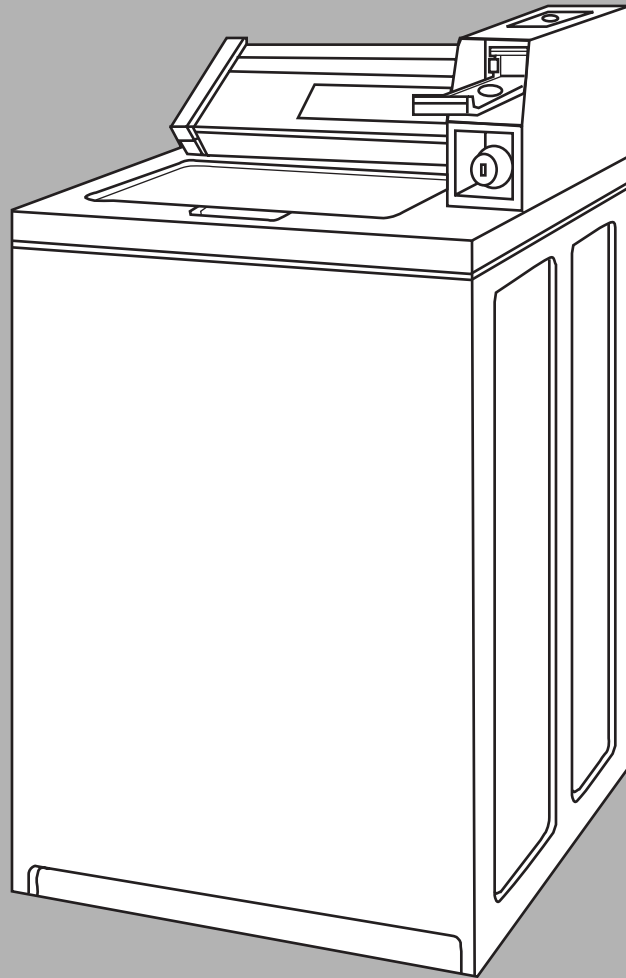
Moving the washer to a new location...



- Remove the front legs from the base of the washer.
- Place both rear leveling legs in the upper position and tape securely.
- Apply tape to the side and bottom of the cabinet near the rear.
- Open washer lid, wedge a blanket between the tub ring and the cabinet top restricting the tub movement.
- Handle washer carefully. **Do Not drop washer while using hand truck.**



Instructions d'installation



Pièce n° 3360619

IMPORTANT : Lire et conserver ces instructions.

IMPORTANT :

- Installateur :** Remettre la brochure des instructions d'installation au propriétaire.
- Propriétaire :** Conserver la brochure des instructions d'installation pour référence ultérieure.
- Conserver** les instructions d'installation pour consultation par l'inspecteur local des installations électriques.

LAVEUSE ÉLECTRONIQUE COMMERCIALE

Modèles 120V, 60Hz

Avant de commencer...

Votre sécurité et celle des autres est très importante.

Nous donnons de nombreux messages de sécurité importants dans ce manuel et au sujet de votre appareil ménager. Assurez-vous de toujours lire tous les messages de sécurité et de les respecter.



Voici le symbole d'alerte de sécurité. Ce symbole d'alerte de sécurité vous signale les

dangers susceptibles de causer un décès et des blessures graves à vous et à d'autres. Tous les messages de sécurité seront précédés du symbole d'alerte de sécurité et du mot «DANGER» ou «AVERTISSEMENT». Ces mots signifient :

DANGER

Risque certain de décès ou de blessure grave si vous ne suivez pas les instructions.

AVERTISSEMENT

Risque possible de décès ou de blessure grave si vous ne suivez pas les instructions.

Tous les messages de sécurité identifient le danger et vous indiquent comment réduire le risque de blessure et ce qui peut se produire en cas de non-respect des instructions.

Ne pas entreposer ni utiliser la laveuse à une température inférieure à 0°C (32° F) (un peu d'eau peut rester dans la laveuse).

Au sujet de la «Préparation pour l'hiver», consulter le Guide d'utilisation et d'entretien.

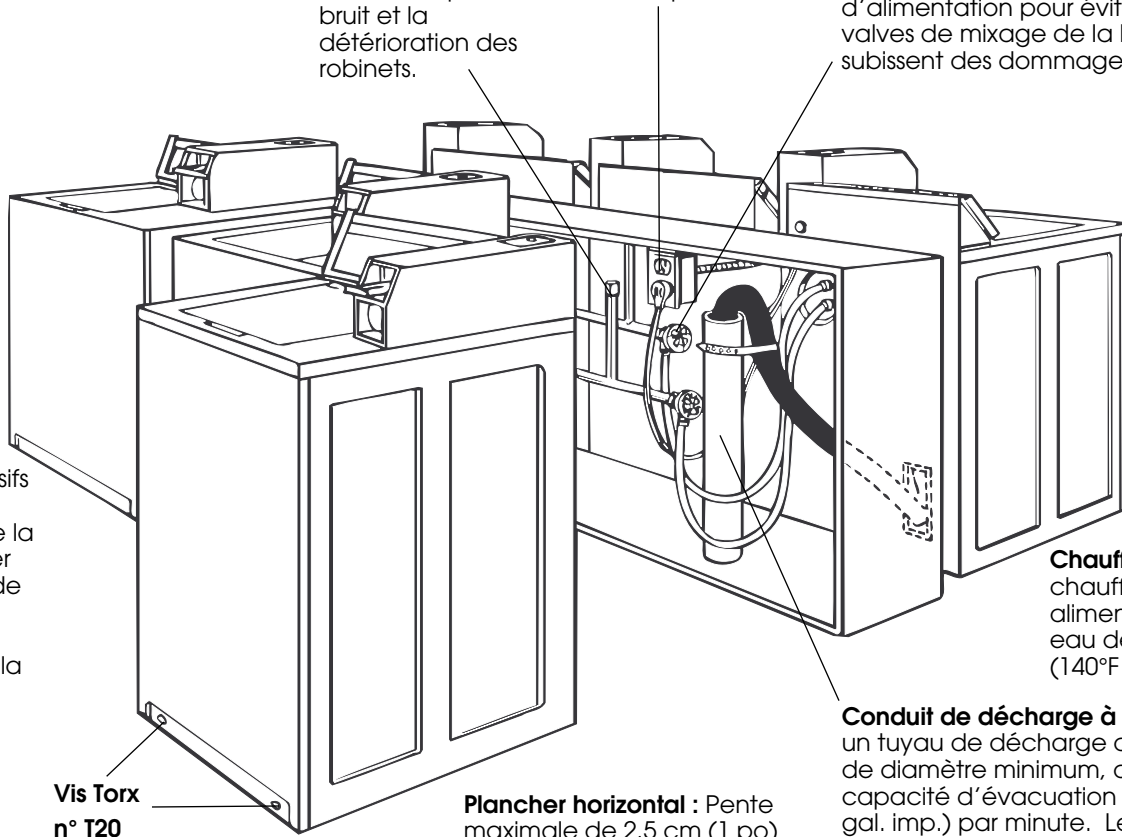
Inspecter l'emplacement où la laveuse sera installée. Assurez-vous d'avoir tout le matériel nécessaire pour la réalisation d'une installation correcte. C'est au propriétaire de l'équipement qu'incombe la responsabilité d'une installation correcte.

Pour l'installation d'une seule laveuse, une section de tuyau vertical d'au moins 30 cm (12 po) est nécessaire; ceci constitue un tampon d'air et empêche le bruit et la détérioration des robinets.

Une prise de courant électrique reliée à la terre est nécessaire. Voir les spécifications d'installation électrique.

Robinet d'eau chaude et d'eau froide : Ces robinets doivent être situés à moins de 1,2 m (4 pi) de l'arrière de la laveuse; la pression de l'eau à la sortie des robinets doit être de 69-690 kPa (10-100 lb/po2). Lorsque la pression d'entrée d'eau à l'entrée de l'édifice est de plus de 690 kPa (100 lb/po2), il convient d'installer un robinet de réduction de pression dans la conduite d'alimentation pour éviter que les valves de mixage de la laveuse subissent des dommages.

Ôter les rubans adhésifs et ouvrir le couvercle de la laveuse. Ôter les paquets de pièces et tuyaux de l'intérieur de la laveuse.



Vis Torx
n° T20

Plancher horizontal : Pente maximale de 2,5 cm (1 po) sous la laveuse.

Chauffe-eau : Régler le chauffe-eau pour qu'il alimente la laveuse en eau de 60°C à 70°C (140°F à 160°F).

Conduit de décharge à l'égout : Utiliser un tuyau de décharge de 5 cm (2 po) de diamètre minimum, avec une capacité d'évacuation de 65 litres (17 gal. imp.) par minute. Le haut du tuyau de décharge doit être situé à au moins 99 cm (39 po) au-dessus du fond de la laveuse et à plus de 183 cm (72 po) au-dessus du fond de la laveuse.

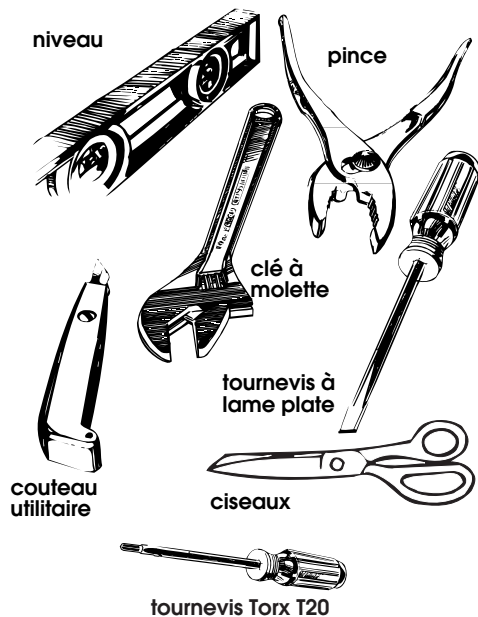
On peut accéder par l'avant à la zone de la pompe après avoir ôté les deux vis Torx no T20 et le panneau avant.

Important : Observer toutes les dispositions des codes et règlements en vigueur.

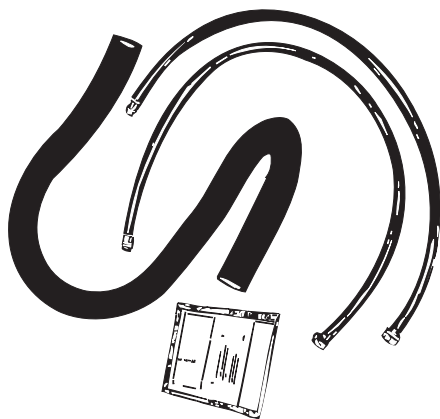
Un siphon de plancher devrait être disponible sous le caisson. Utiliser un caisson préfabriqué avec prises de courant électrique, conduits d'arrivée d'eau et conduite de décharge à l'égout, seulement lorsque le code local le permet.

Support : Le plancher doit être suffisamment résistant pour supporter le poids de la laveuse et de sa charge, soit 143 kg (315 lb).

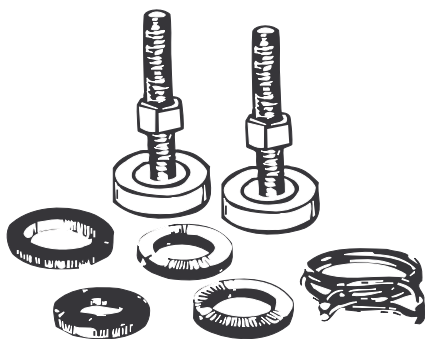
Outillage nécessaire pour l'installation :



Pièces fournies pour l'installation :



Retirer les pièces de l'emballage. Vérifier que toutes les pièces sont incluses.



1 bride pour tuyau
2 tuyaux d'arrivée d'eau
4 joints plats pour tuyaux d'arrivée d'eau
2 pieds avant avec écrou, pour mise d'aplomb
1 tuyau de décharge

Installation électrique

⚠ AVERTISSEMENT



Risque de choc électrique

Brancher sur une prise à 3 alvéoles reliée à la terre.
Ne pas enlever la broche de liaison à la terre.
Ne pas utiliser un adaptateur.
Ne pas utiliser un câble de rallonge.
Le non-respect de ces instructions peut causer un décès, un incendie ou un choc électrique.

Si les codes locaux le permettent et si un fil distinct est utilisé pour la liaison à la terre, il est préférable qu'un électricien qualifié détermine que l'ensemble du conducteur de liaison à la terre est adéquat.

Ne pas relier la liaison à la terre à une canalisation de gaz.

En cas de doute sur la qualité de la liaison à la terre de cet appareil, consulter un électricien qualifié.

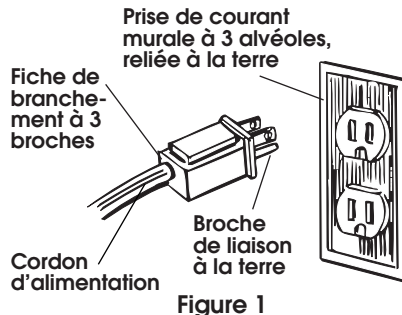
Ne pas installer un fusible dans le circuit de liaison à la terre ou dans le circuit du conducteur neutre.

L'appareil doit être alimenté par un circuit de 120 V CA seulement, 60 Hz, 15 à 20 ampères, protégé par fusible. On recommande l'emploi d'un fusible temporisé ou d'un disjoncteur. Il est préférable que l'appareil soit alimenté par un circuit distinct, n'alimentant que cet appareil.

Méthode de raccordement à la terre recommandée

Pour la sécurité personnelle des utilisateurs, il est indispensable que cet appareil soit relié à la terre. Cet appareil est alimenté par un cordon d'alimentation comportant une fiche de branchement à 3 broches. Pour minimiser le risque de choc électrique, brancher le cordon d'alimentation sur une prise de courant murale reliée à la terre et à 3 alvéoles, conformément aux dispositions des codes et règlements locaux. Voir la Figure 1. Si une prise de courant murale adaptée à la fiche de branchement n'est pas disponible, c'est au client qu'incombe l'obligation de faire installer une prise de courant murale à trois alvéoles convenablement reliée à la terre par un électricien qualifié.

AVERTISSEMENT - La connexion incorrecte du conducteur de mise à la terre de la machine peut susciter un risque de choc électrique. En cas de doute quant à la qualité de mise à la terre, vérifier auprès d'un électricien ou technicien qualifié. Ne pas modifier la prise fournie avec l'appareil. Si elle ne convient pas à la prise, faire installer une prise adéquate par un électricien qualifié.

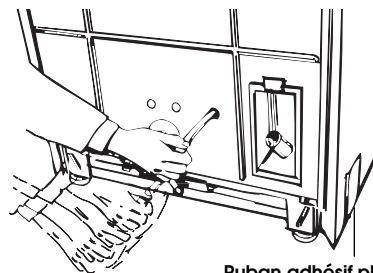


Commencez maintenant...

La laveuse étant dans la buanderie.

⚠ AVERTISSEMENT

Risque de poids excessif
Deux personnes ou plus doivent déplacer ou installer la laveuse.
Le non-respect de cette instruction peut causer une blessure au dos ou d'autres blessures.



1. Ôter le ruban adhésif qui recouvre la sangle d'expédition. Retirer complètement la sangle avec les 2 goupilles de l'intérieur de la laveuse.

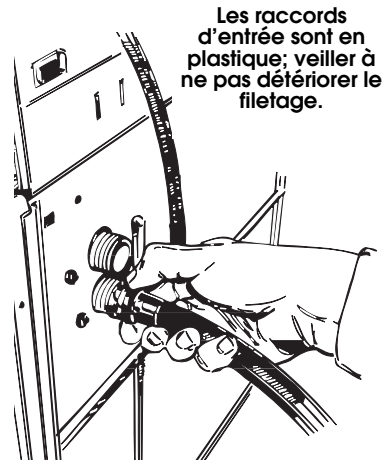
Tirer fermement pour séparer l'extrémité de la sangle de l'arrière de la laveuse. Pour la libération des pieds arrière qui assurent la mise à niveau de la laveuse, il faut que le bouton de la sangle soit totalement retiré de la laveuse.

Conserver la sangle d'expédition pour utilisation à l'étape 6.

Utiliser les tuyaux d'arrivée d'eau et joints neufs fournis avec la laveuse.



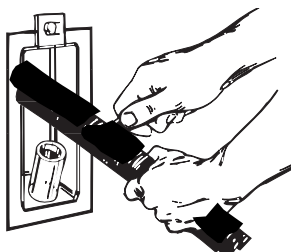
2. Insérer un joint dans **chaque** raccord des tuyaux d'arrivée d'eau. Vérifier que les joints sont bien placés au fond des raccords.



Les raccords d'entrée sont en plastique; veiller à ne pas détériorer le filetage.

3. Connecter d'abord a tuyau d'arrivée d'eau à l'entrée inférieure; connecter ensuite le deuxième tuyau à l'entrée supérieure. Serrer les raccords à la main; utiliser ensuite une pince pour serrer les raccords de deux tiers de tour de plus.

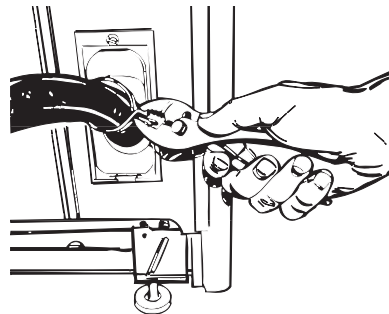
Pour déplacer la laveuse sur le sol, la faire glisser sur une feuille de carton ou sur une planche.



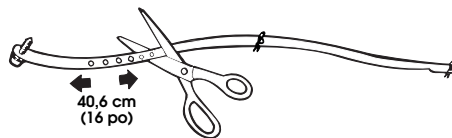
4. Rapprocher la laveuse de son emplacement d'installation final. Placer l'extrémité recourbée du tuyau de décharge dans le tuyau d'évacuation vertical. Estimer la longueur de tuyau flexible nécessaire lorsque la laveuse sera à sa position finale. Il faudra couper le tuyau flexible à la longueur exacte pour que l'extrémité recourbée soit bien retenue sur le bord du tuyau d'évacuation vertical. Si le tuyau flexible est trop long, couper l'excès dans la section droite du tuyau. **(Ne pas couper dans la section recourbée**

du tuyau de décharge flexible.)

NE PAS FAIRE DESCENDRE DE FORCE L'EXCÈS DE TUYAU DANS LE TUYAU D'ÉVACUATION VERTICAL. CECI POURRAIT DONNER LIEU À UN EFFET DE SIPHON. VOIR ÉTAPE 6.

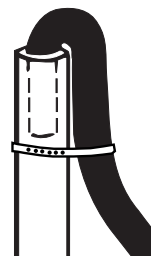


5. Placer une bride à tuyau sur le raccord du tuyau de décharge. Enfiler le tuyau de décharge sur le raccord de décharge de la laveuse. Utiliser une pince pour ouvrir la bride et placer la bride sur le tuyau et le raccord. Veiller à obtenir un bon ajustement.



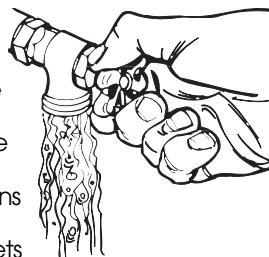
6. Mesurer et marquer un repère à environ 40,6 cm (16 po) de l'extrémité de la sangle à ce niveau.

Introduire l'extrémité recourbée du tuyau de décharge dans le tuyau d'évacuation vertical. Serrer solidement la sangle autour du tuyau d'évacuation vertical. Introduire le bouton de la sangle dans le trou de blocage le plus proche.

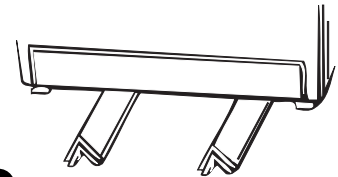


Veiller à ce que le tuyau flexible ne soit pas déformé ou tordu, et à ce qu'il soit solidement immobilisé.

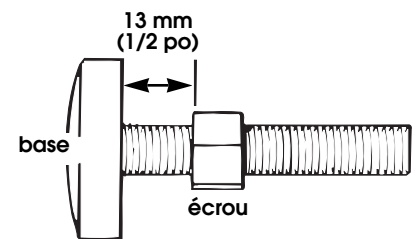
7. Avant de connecter les tuyaux d'arrivée d'eau, laisser l'eau couler dans un seau à partir des deux robinets d'alimentation, pour éliminer les particules solides présentes dans les conduites d'arrivée d'eau. Identifier le robinet d'eau chaude.



8. Relier le tuyau inférieur (entrée marquée «H») au robinet d'eau chaude. Relier le tuyau supérieur (entrée marquée «C») au robinet d'eau froide. Serrer les raccords à la main, puis utiliser une pince pour le serrage final de deux tiers de tour.



9. Empiler deux cornières l'une par-dessus l'autre. Incliner la laveuse vers l'arrière et glisser les cornières sous la laveuse à 7,6 cm (3 po) de chaque côté de la laveuse, tel qu'illustré.



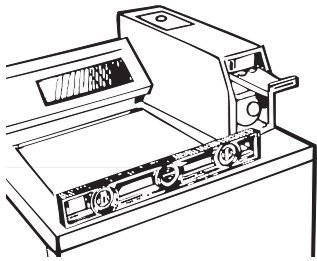
10. Utiliser les pieds et les écrous fournis dans le sachet de pièces. Visser l'écrou jusqu'à environ 13 mm (1/2 po) de la base.

11. Insérer le pied dans le trou convenable à chaque angle avant de la laveuse, jusqu'à ce que l'écrou soit en contact avec la base de la laveuse. **Ne pas serrer les écrous avant l'étape 14.**

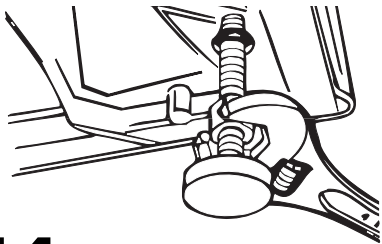


12. Incliner la laveuse vers l'arrière et ôter les cornières. Abaisser doucement la laveuse sur le sol.

Faire glisser la laveuse jusqu'à son emplacement permanent. Enlever la feuille de carton ou le panneau de bois dur de dessous la laveuse.

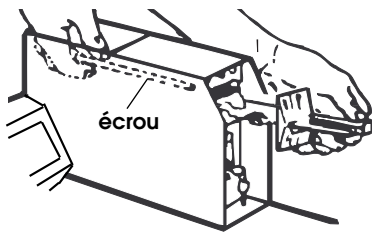


13. Incliner la laveuse vers l'avant pour soulever les pieds arrière de 2,5 cm (1 po) au-dessus du sol. Laisser la laveuse redescendre doucement jusqu'au sol. Vérifier l'aplomb de la laveuse transversalement et de l'avant à l'arrière (des deux côtés) avec un niveau.

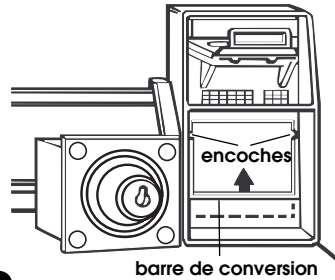


14. Si la laveuse n'est pas d'aplomb, visser les pieds avant vers le haut ou vers le bas pour réaliser l'aplomb. Exécuter le contrôle final avec un niveau.

Lorsque la laveuse est d'aplomb, faire tourner les écrous des pieds avant avec une clé à molette pour les mettre en contact avec la base de la laveuse. Si les écrous ne sont pas en contact étroit avec la base de la laveuse, elle pourrait vibrer.

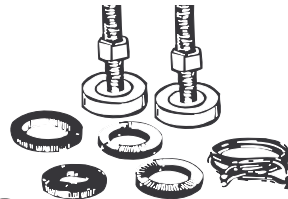


15. Dans le cas d'une laveuse commandée par pièces de monnaie, ôter le panneau d'accès au mécanisme de paiement. Soulever le panneau d'accès à l'arrière pour l'ôter. Insérer doucement le mécanisme de paiement, avec la plaque d'extension connectée dans l'ouverture avant; fixer le mécanisme avec l'écrou de montage de 4,8 mm (3/16 po), depuis l'intérieur du boîtier. Il peut être nécessaire de pousser partiellement la plaque coulissante du mécanisme pour insérer le mécanisme dans l'ouverture avant. Réinstaller le couvercle et le volet d'accès du boîtier. Insérer la tirelire avec la serrure et la clé.



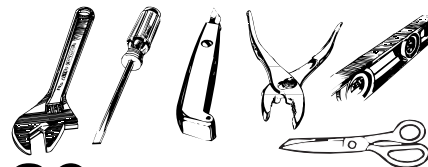
16. Placer la tirelire avec la serrure et la clé dans l'ouverture du boîtier du mécanisme de paiement. Il est possible d'installer une tirelire de plus grande capacité. Utiliser un couteau pour ôter doucement la peinture le long de la jointure sous la barre de conversion. Utiliser un tournevis à lame plate et un marteau pour frapper doucement le long de la zone de la jointure. Soulever la barre de conversion jusqu'aux encoches situées sur les côtés de l'ouverture de la tirelire. Ôter la barre de conversion et le guide du tiroir. Installer le nouveau guide (fourni dans le sachet de pièces) et la tirelire de plus grande taille.

17. CONTRÔLER LES CARACTÉRISTIQUES DE L'ALIMENTATION ÉLECTRIQUE. VÉRIFIER QUE LES CARACTÉRISTIQUES DU CIRCUIT D'ALIMENTATION CORRESPONDENT À CELLES DE LA LAVEUSE, ET QU'ELLE EST CONVENABLEMENT RELIÉE À LA TERRE.



18. Vérifier que toutes les pièces sont installées. Voir la liste des pièces à la page 3. S'il y a une pièce additionnelle, examiner successivement toutes les étapes pour identifier quelle étape a été omise.

19. Ouvrir les robinets d'eau et inspecter pour rechercher les fuites; le cas échéant, resserrer les raccords. Ne pas serrer excessivement; ceci pourrait faire subir des dommages aux robinets.

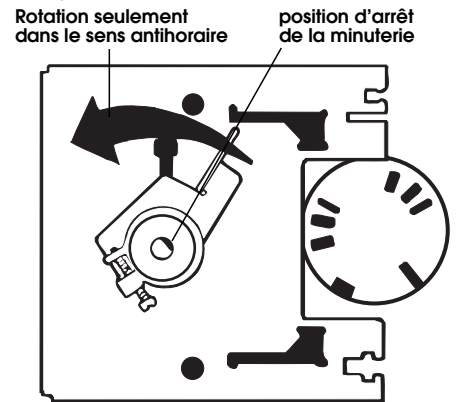


20. Vérifier que tous les outils nécessaires sont présents. Vérifier que la sangle d'expédition a été retirée à l'arrière de la laveuse et utilisée pour l'immobilisation du tuyau d'évacuation.

Si la sangle n'a pas été entièrement retirée, la laveuse peut vibrer et faire du bruit.

21. Ôter le ruban adhésif du cordon d'alimentation électrique et brancher la fiche sur la prise de courant.

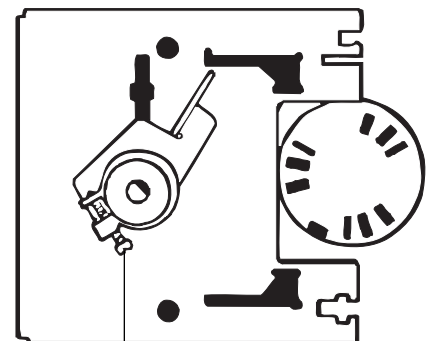
22. Contrôler la durée d'exécution des programmes de lavage. Pour une laveuse commandée par pièces de monnaie, la durée de lavage du programme normal est de 9 minutes. Ôter le couvercle du boîtier du mécanisme de paiement pour commander manuellement la mise en marche de la minuterie. Mettre la laveuse en marche et la laisser exécuter un programme normal complet.



Avant de la minuterie

Pour provoquer la mise en marche de la minuterie commandée par pièces de monnaie, faire tourner l'embrayage dans le sens antihoraire, jusqu'à ce que la laveuse commence à se remplir d'eau.

23. Si la laveuse ne se met pas en marche ou si la durée de lavage n'est pas correcte, il est possible de régler l'embrayage du mécanisme de pièces de monnaie. Ôter la minuterie du boîtier du mécanisme de paiement. Régler la vis de l'embrayage (rotation dans le sens horaire) si la laveuse ne démarre pas après que le mécanisme d'introduction des pièces ait subi une manoeuvre complète (enfoncement ou extraction). Régler la vis de l'embrayage (rotation dans le sens antihoraire) si la durée de lavage du programme normal est inférieure à 9 minutes.



Vis de réglage de l'embrayage de la minuterie

Choix du propriétaire (modèles commandés par pièces de monnaie)

**MISE EN GARDE : Débrancher le
cordon d'alimentation.**

1. Pour RINÇAGE À L'EAU TIÈDE et ÉCONOMIE D'EAU :

- Ôter les vis à chaque extrémité du fond de la console.
- Tirer le bas de la console vers l'avant; soulever et incliner la console vers l'arrière.

a. RINÇAGE À L'EAU TIÈDE

- Connecter J1 à J2

b. ÉCONOMIE D'EAU

- Tirer l'onglet du commutateur qui détermine le niveau d'eau.

2. Si on désire utiliser une tirelire de plus grande taille, une serrure et une clé, il est possible d'ôter la barre de conversion de la partie inférieure de la zone de la tirelire.

3. Si un niveau de sécurité supérieur est nécessaire, il est possible de verrouiller le haut de la caisse sur le panneau arrière de la laveuse, à l'aide d'une serrure à vis avec clé installée dans l'espace prévu à cet effet dans le panneau supérieur, sous la console. On peut se procurer une serrure à vis avec clé auprès des sources habituelles de l'industrie.

Liste de contrôle – fonctionnement de la laveuse

Si la laveuse ne fonctionne pas correctement, contrôler ce qui suit :

1. Cordon d'alimentation branché.
2. Disjoncteur ouvert ou fusible grillé.
3. La minuterie n'a pas avancé au point de départ du programme.
4. Robinet d'arrivée d'eau ouvert.
5. Tuyaux d'arrivée d'eau et tuyau de décharge déformés.
6. Couvercle de la laveuse fermé.
7. Robinet d'arrivée d'eau congelé s'il n'est pas protégé des intempéries.
8. Niveau de mousse. Une quantité excessive de mousse ralentit l'essorage et provoque un rinçage médiocre. Faire exécuter un programme complet par la laveuse, sans détergent. Utiliser moins de détergent ou utiliser par la suite un détergent à mousse contrôlée

Taille typique des charges complètes

Type de charge	Suggestion de chargement	Type de charge	Suggestion de chargement
Charge mixte	3 draps (lit à 2 places) 4 taies d'oreiller 6 paires de shorts 8 T-shirts 2 chemises 2 chemisiers 8 mouchoirs	Vêtements de travail très sales	3 pantalons 3 chemises 1 combinaison 4 jeans 1 salopette
Pressage permanent	2 draps (lit à 2 places) ou 1 drap (lit très grand) 1 nappe 1 robe 1 chemisier 2 pantalons 3 chemises 2 taies d'oreiller	Tricots	3 chemisiers 4 pantalons 6 chemises 4 tricots 4 robes

Conseils d'utilisation

⚠ AVERTISSEMENT



Risque d'incendie

Ne jamais mettre dans la laveuse des articles humectés d'essence ou d'autres fluides inflammables.

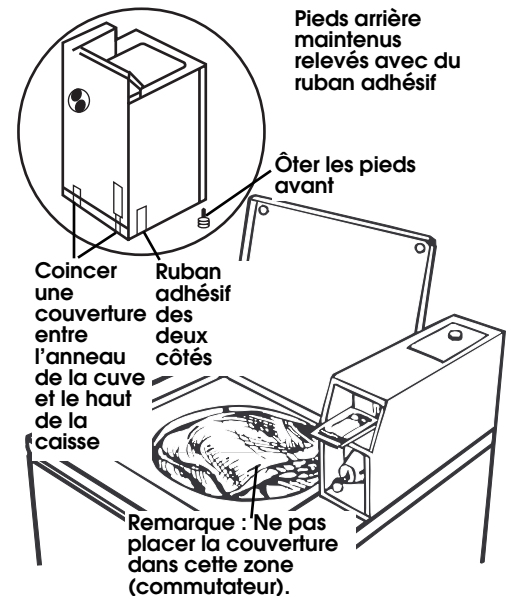
Aucune laveuse ne peut complètement enlever l'huile.

Ne pas faire sécher des articles qui ont été salis par tout genre d'huile (y compris les huiles de cuisson).

Le non-respect de ces instructions peut causer un décès, une explosion ou un incendie.

On recommande de ne pas laver dans une laveuse commandée par pièces de monnaie des articles contenant de la fibre de verre. S'il est nécessaire de laver de tels articles dans la laveuse, faire exécuter un programme complet à vide pour éliminer les résidus qui pourraient être restés dans la laveuse.

Déplacement de la laveuse vers un nouvel emplacement...



- Ôter les pieds avant de la laveuse.
- Ramener les deux pieds arrière de la laveuse à la position relevée; immobiliser ces pieds à l'aide de ruban adhésif.
- Placer du ruban adhésif sur les côtés et sous la caisse, près de l'arrière.
- Ouvrir le couvercle de la laveuse; coincer une couverture entre l'anneau de la cuve et le haut de la caisse pour empêcher tout mouvement de la cuve.
- Manipuler la laveuse avec prudence. **Ne pas laisser la laveuse tomber lors de l'utilisation d'un chariot manuel.**

